



A-Инжиниринг
надёжные решения

Компрессорное оборудование.



8 (916) 850-36-33
8 (495) 744-65-78
info@a-remeza.ru

"EN"

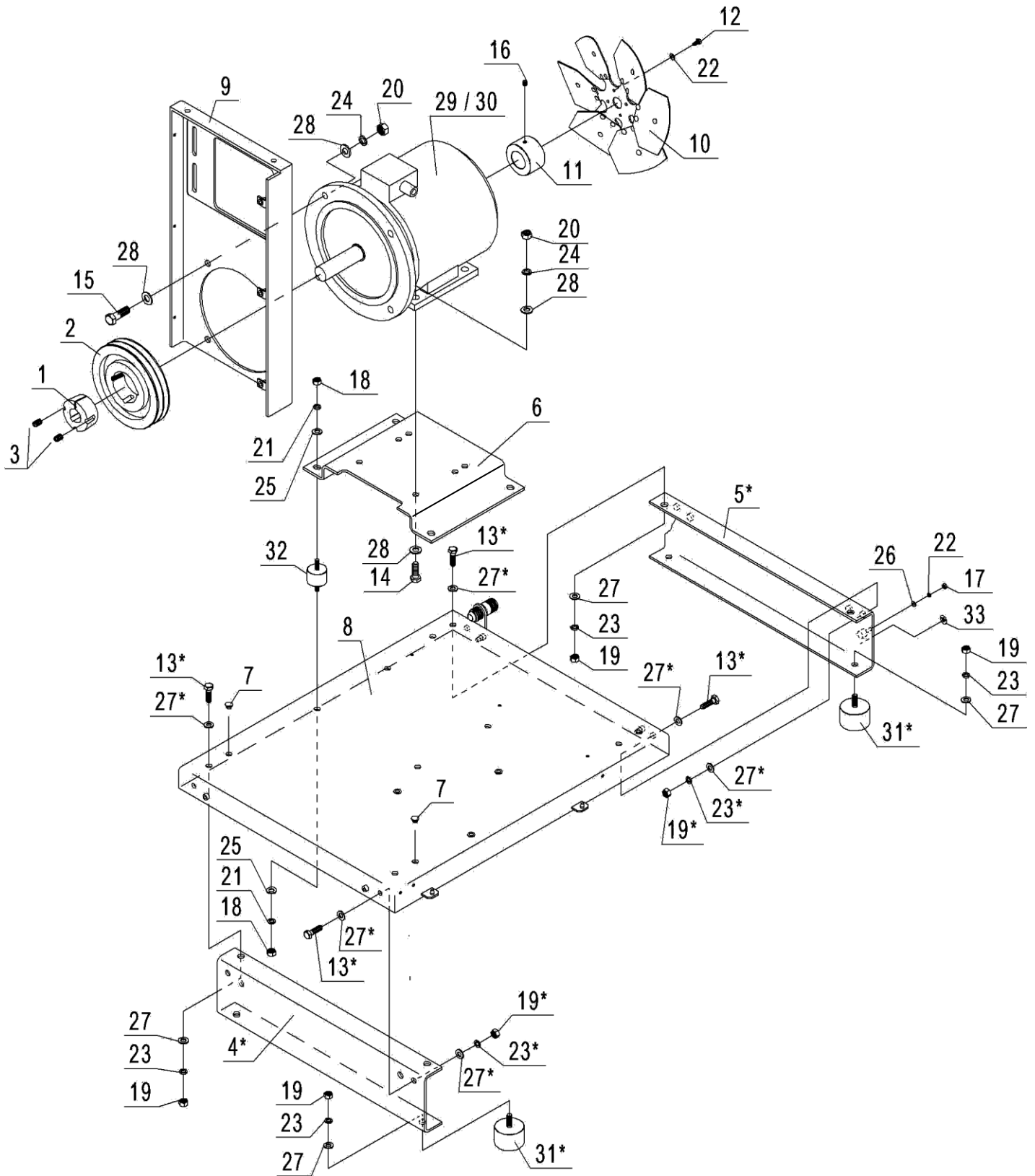
**Compressor units
BK5T, BK7T, BK10T
Catalogue of details and assembly units**

"DE"

**Kompressoranlagen
BK5T, BK7T, BK10T
Ersatzteilkatalog und Montageübersicht**

"RU"

**Установки компрессорные
BK5T, BK7T, BK10T
Каталог деталей и сборочных единиц**



"EN" **Note** - The positions marked with "*", in BK5(7, 10)T-8(10, 15)-270(D) versions are not used.

"DE" **Anmerkung** - Positionen, die bei den Modellen BK5(7, 10)T-8(10, 15)-270(D) mit "*" markiert sind, werden nicht benötigt.

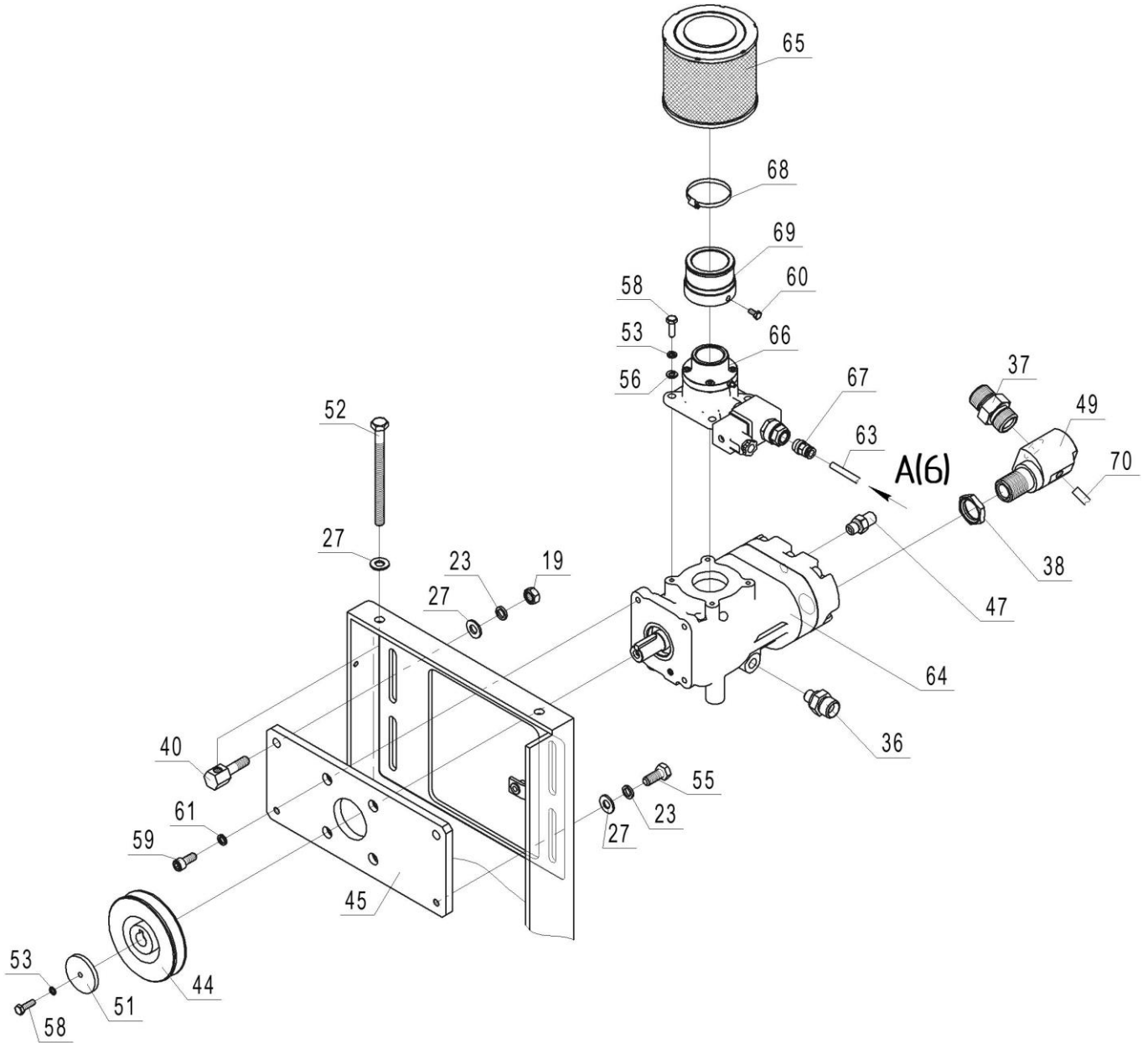
"RU" **Примечание** - Позиции, отмеченные "*", в исполнениях BK5(7, 10)T-8(10, 15)-270(D) не применяются.

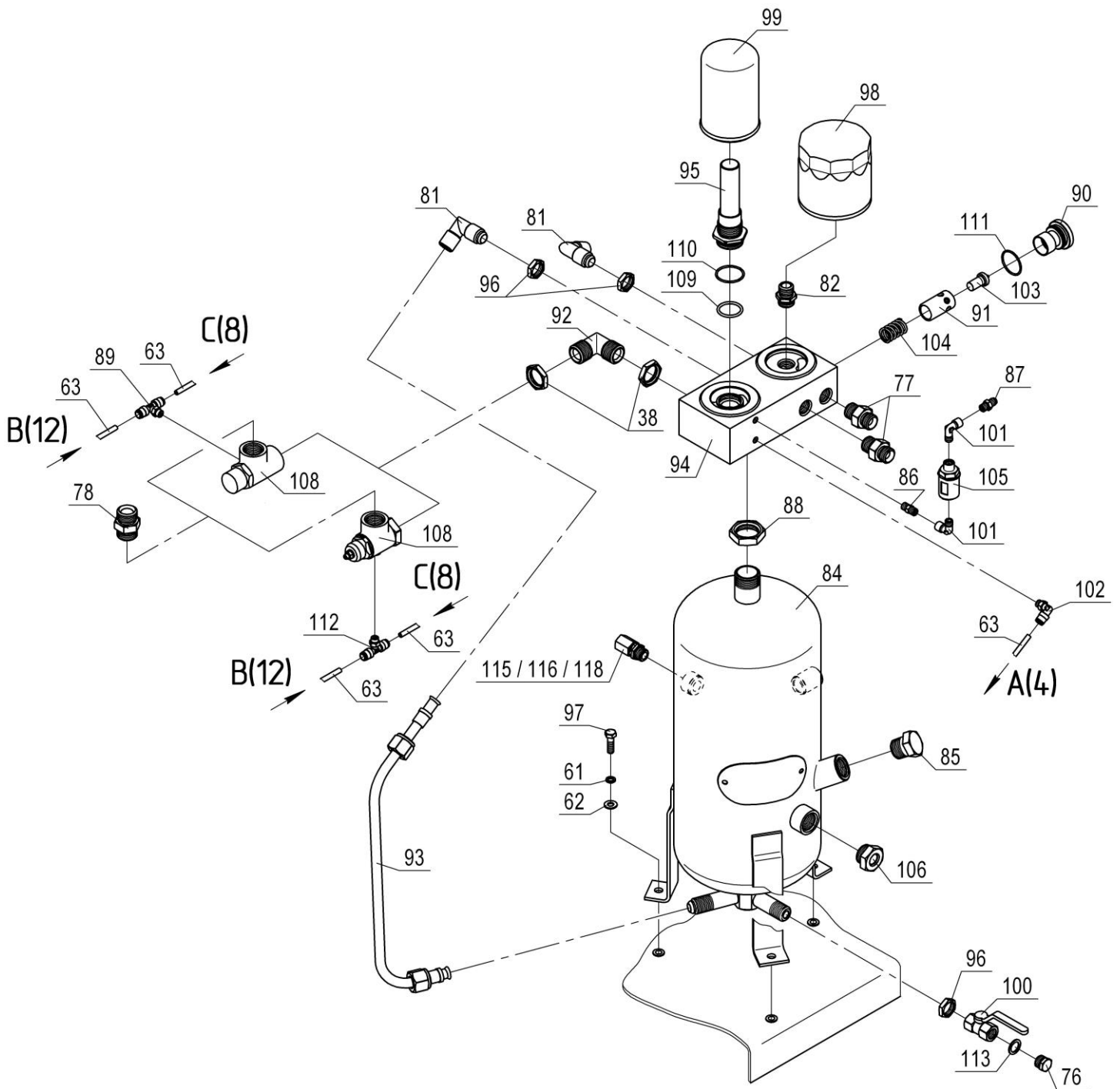
| Pos./ Pos./ Поз. | Code / Art.-Nr. / Код | Item | Bezeichnung | Наименование | Quantity / Anzahl / Количество | | | | | | | | |
|------------------------|--------------------------|-------------------|-----------------|-------------------------------------|--------------------------------|---------|---------|--------|---------|---------|----------|----------|---|
| | | | | | BK5T-8 | BK5T-10 | BK5T-15 | BK7T-8 | BK7T-10 | BK7T-15 | BK10T-10 | BK10T-15 | |
| 1 | 3301.00.15.001-04 | Adapter | Nabe | Ступица | - | 1 | - | - | 1 | - | - | - | - |
| | 3301.00.15.001-05 | Adapter | Nabe | Ступица | 1 | - | - | 1 | - | - | - | - | - |
| | 3301.00.15.001-06 | Adapter | Nabe | Ступица | - | - | - | - | - | - | - | - | 1 |
| 2 | 3301.00.15.002-01 | Drive pulley | Scheibe | Шкив | - | - | - | - | - | - | - | - | - |
| | 3301.00.15.002-03 | Drive pulley | Scheibe | Шкив | - | - | 1 | - | - | - | - | - | - |
| | 3301.00.15.002-04 | Drive pulley | Scheibe | Шкив | - | 1 | - | - | - | 1 | - | - | - |
| | 3301.00.15.003 | Drive pulley | Scheibe | Шкив | 1 | - | - | - | - | - | - | - | - |
| | 3301.00.15.003-01 | Drive pulley | Scheibe | Шкив | - | - | - | - | 1 | - | - | - | 1 |
| | 3301.00.15.003-02 | Drive pulley | Scheibe | Шкив | - | - | - | 1 | - | - | - | - | - |
| | 3301.00.15.003-03 | Drive pulley | Scheibe | Шкив | - | - | - | - | - | - | - | 1 | - |
| 3 | 3301.00.15.004 | Screw | Schraube | Винт | - | 2 | - | - | 2 | - | - | - | - |
| | 3301.00.15.004-01 | Screw | Schraube | Винт | 2 | - | - | 2 | - | - | - | 2 | - |
| 4* | 3307.00.00.017 | Arm | Stütze | Опора | - | - | - | - | 1 | - | - | - | - |
| 5* | 3307.00.15.000 | Arm | Stütze | Опора | - | - | - | - | 1 | - | - | - | - |
| 6 | 3440.00.00.001 | Platform | Plattform | Площадка | - | - | 1 | - | - | - | - | - | - |
| | 3440.00.00.001-01 | Platform | Plattform | Площадка | - | - | - | - | - | - | - | - | 1 |
| 7 | 4350040010 | Stopper | Blindverschluss | Заглушка 13 | - | - | - | - | 2 | - | - | - | - |
| 8 | 3440.00.01.000 | Platform | Plattform | Платформа | - | - | - | - | 1 | - | - | - | - |
| 9 | 3314.00.02.000 | Plate | Halterung | Плита | - | - | 1 | - | - | - | - | - | - |
| | 3440.00.02.000 | Plate | Halterung | Плита | - | - | - | - | - | - | - | - | 1 |
| 10 | 4339001403 | Fan | Lüfter | Крыльчатка | - | - | 1 | - | - | - | - | - | - |
| | 4339001603 | Fan | Lüfter | Крыльчатка | - | - | - | - | - | - | - | - | 1 |
| 11 | 3440.00.03.002 | Adapter | Adapter | Ступица вентилятора PA , MEC | - | - | - | - | 1 | - | - | - | - |
| | 3440.00.03.002-01 | Adapter | Adapter | Ступица вентилятора PA , MEC | 1 | - | - | - | - | - | - | - | - |
| | 3450.00.03.002 | Adapter | Adapter | Ступица вентилятора PA , MEC | - | - | - | - | - | - | - | - | 1 |
| 12 | - | Bolt | Schraube | Болт М6-6g x 16.58.A.019 ГОСТ 7805 | - | - | - | - | 14 | - | - | - | - |
| 13* | - | Bolt | Schraube | Болт М10-6g x 35.58.A.019 ГОСТ 7805 | - | - | - | - | 8 | - | - | - | - |
| 14 | - | Bolt | Schraube | Болт М12-6g x 35.58.A.019 ГОСТ 7805 | - | - | - | - | 4 | - | - | - | - |
| 15 | - | Bolt | Schraube | Болт М12-6g x 45.58.A.019 ГОСТ 7805 | - | - | - | - | 4 | - | - | - | - |
| 16 | - | Screw | Schraube | Винт М8-6gx16.58.019 ГОСТ 8878 | - | - | - | - | 1 | - | - | - | - |
| 17 | - | Nut | Mutter | Гайка М6-6H.5.A.019 ГОСТ 5927 | - | - | - | - | 11 | - | - | - | - |
| 18 | - | Nut | Mutter | Гайка М8-6H.5.A.019 ГОСТ 5927 | - | - | - | - | 10 | - | - | - | - |
| 19 | - | Nut | Mutter | Гайка М10-6H.5.A.019 ГОСТ 5927 | - | - | - | - | 6 | - | - | - | - |
| 20 | - | Nut | Mutter | Гайка М12-6H.5.A.019 ГОСТ 5927 | - | - | - | - | 10 | - | - | - | - |
| 21 | - | Washer | Scheibe | Шайба 8.65Г.019 ГОСТ 6402 | - | - | - | - | 4 | - | - | - | - |
| 22 | - | Washer | Scheibe | Шайба 6.65Г.019 ГОСТ 6402 | - | - | - | - | 32 | - | - | - | - |
| 23 | - | Washer | Scheibe | Шайба 10.65Г.019 ГОСТ 6402 | - | - | - | - | 8 | - | - | - | - |
| 24 | - | Washer | Scheibe | Шайба 12.65Г.019 ГОСТ 6402 | - | - | - | - | 10 | - | - | - | - |
| 25 | - | Washer | Scheibe | Шайба А.8.01.10кп.019 ГОСТ 11371 | - | - | - | - | 4 | - | - | - | - |
| 26 | - | Washer | Scheibe | Шайба А.6.01.10кп.019 ГОСТ 11371 | - | - | - | - | 28 | - | - | - | - |
| 27 | - | Washer | Scheibe | Шайба А.10.01.10кп.019 ГОСТ 11371 | - | - | - | - | 18 | - | - | - | - |
| 28 | - | Washer | Scheibe | Шайба А.12.01.10кп.019 ГОСТ 11371 | - | - | - | - | 18 | - | - | - | - |
| 29 | 4043300409 | Electric motor | Elektromotor | Электродвигатель Y2 MEC100 4 kW | 1 | - | - | - | - | - | - | - | - |
| | 4043300509 | Electric motor | Elektromotor | Электродвигатель Y2 MEC100 5,5 kW | - | - | - | 1 | - | - | - | - | - |
| | 4043300709 | Electric motor | Elektromotor | Электродвигатель Y2 MEC100 7,5 kW | - | - | - | - | - | - | - | - | 1 |
| 30 | 4043300408 | - | - | Электродвигатель Y2 MEC100 4 kW | 1 | - | - | - | - | - | - | - | - |
| | 4043300508 | - | - | Электродвигатель Y2 MEC100 5,5 kW | - | - | - | 1 | - | - | - | - | - |
| | 4043300708 | - | - | Электродвигатель Y2 MEC100 7,5 kW | - | - | - | - | - | - | - | - | 1 |
| 31* | 4290604000 | Resilient support | Vibrationslager | Виброопора 2М6040 | - | - | - | - | 4 | - | - | - | - |
| 32 | 4290403001 | Resilient support | Vibrationslager | Виброопора 2М40х30 | - | - | - | - | 4 | - | - | - | - |
| 33 | 4381002100 | Label | Aufkleber | Знак заземления 10 | - | - | - | - | 1 | - | - | - | - |

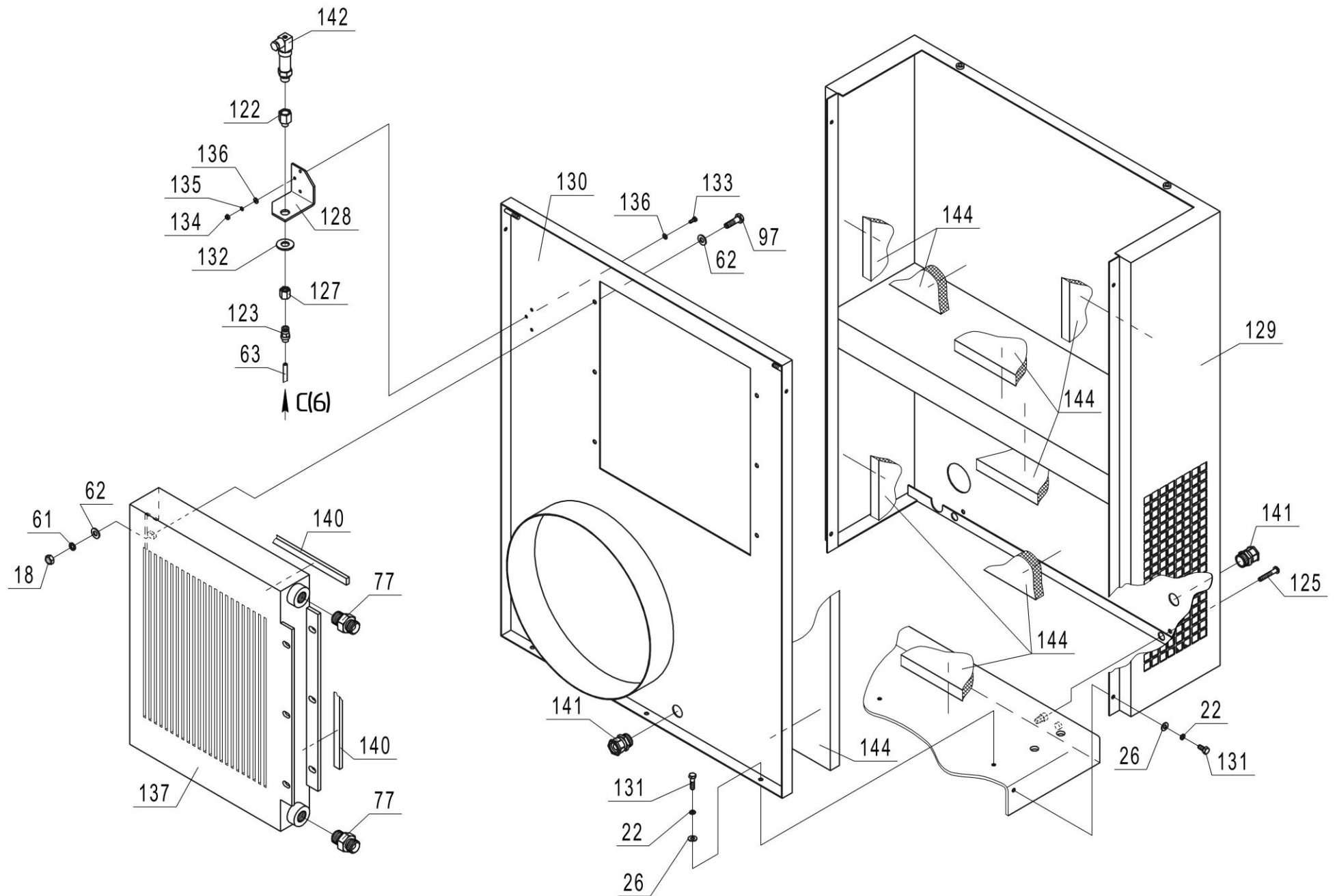
"EN" Note - The positions marked with "*", in BK5(7, 10)T-8(10, 15)-270(D) versions are not used.

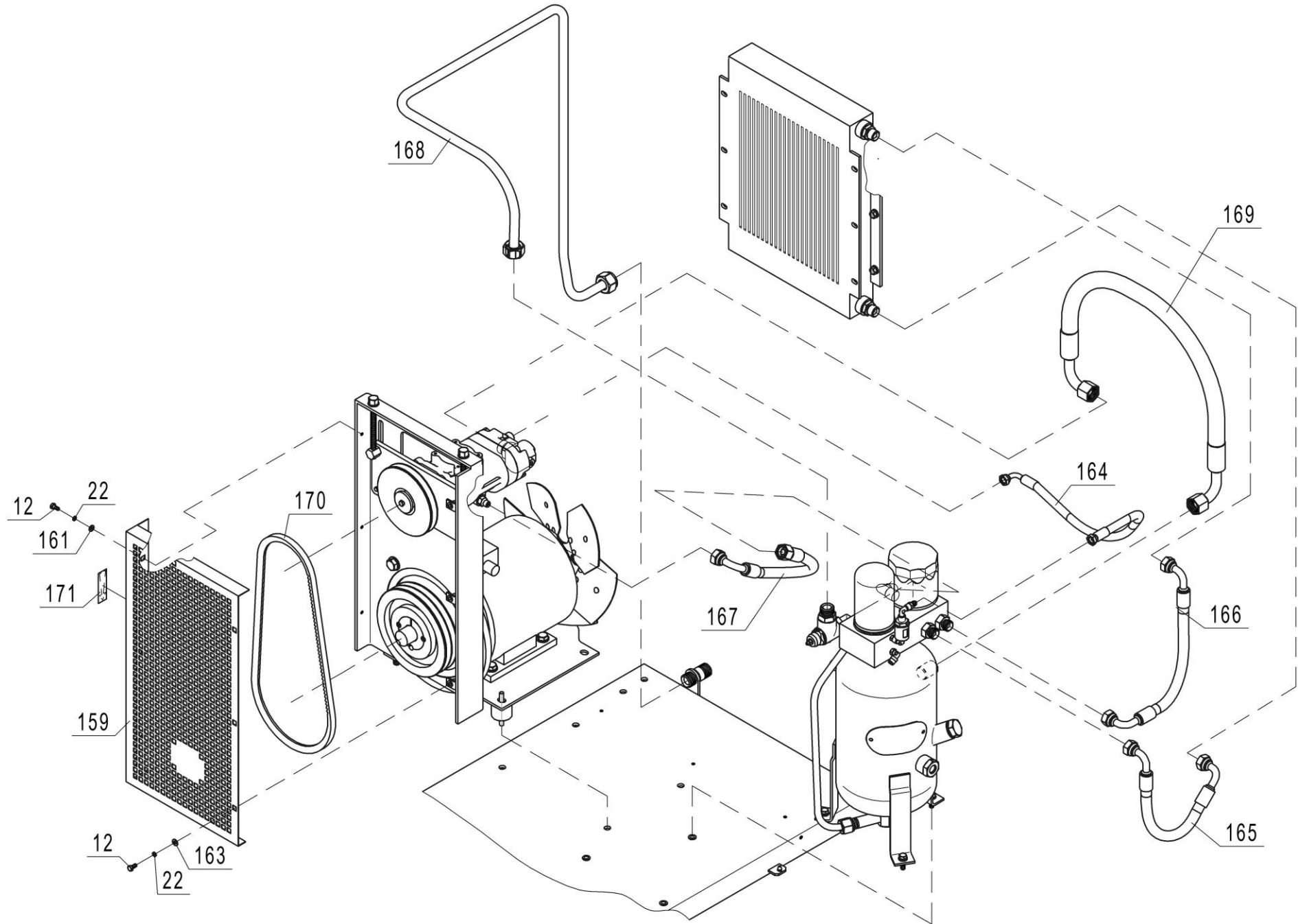
"DE" Anmerkung - Positionen, die bei den Modellen BK5(7, 10)T-8(10, 15)-270(D) mit "*" markiert sind, werden nicht benötigt.

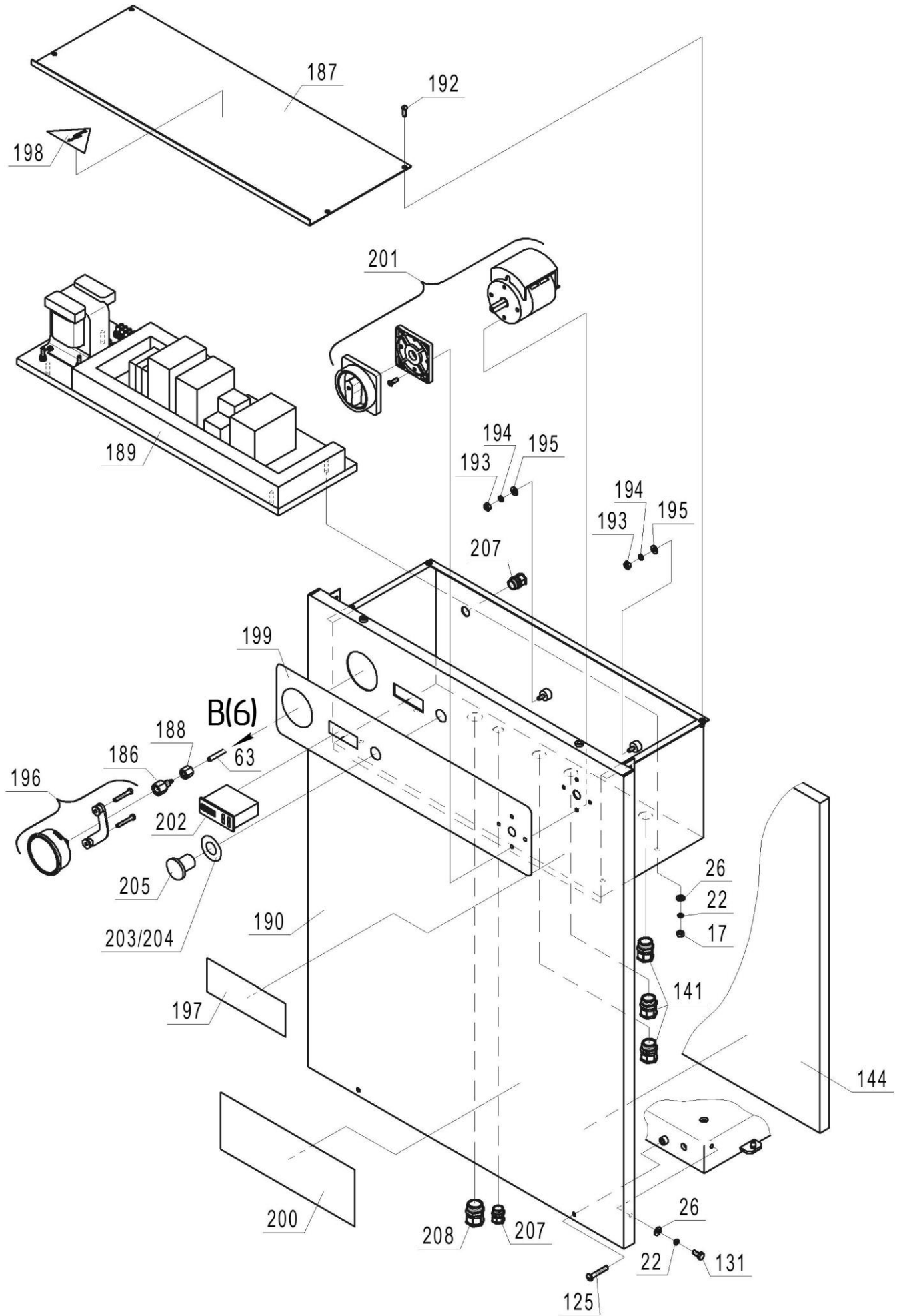
"RU" Примечание - Позиции, отмеченные "*", в исполнениях BK5(7, 10)T-8(10, 15)-270(Д) не применяются.

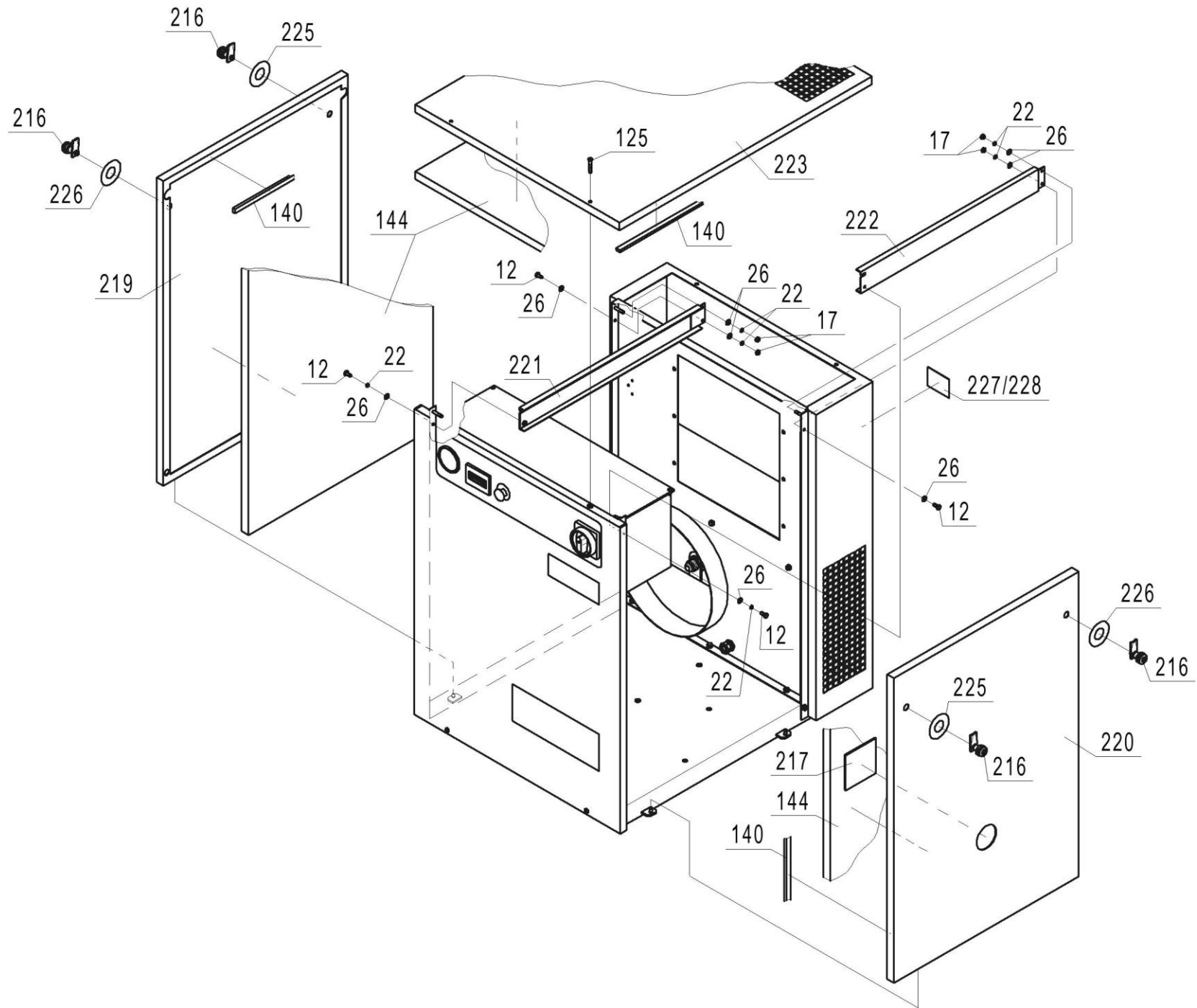




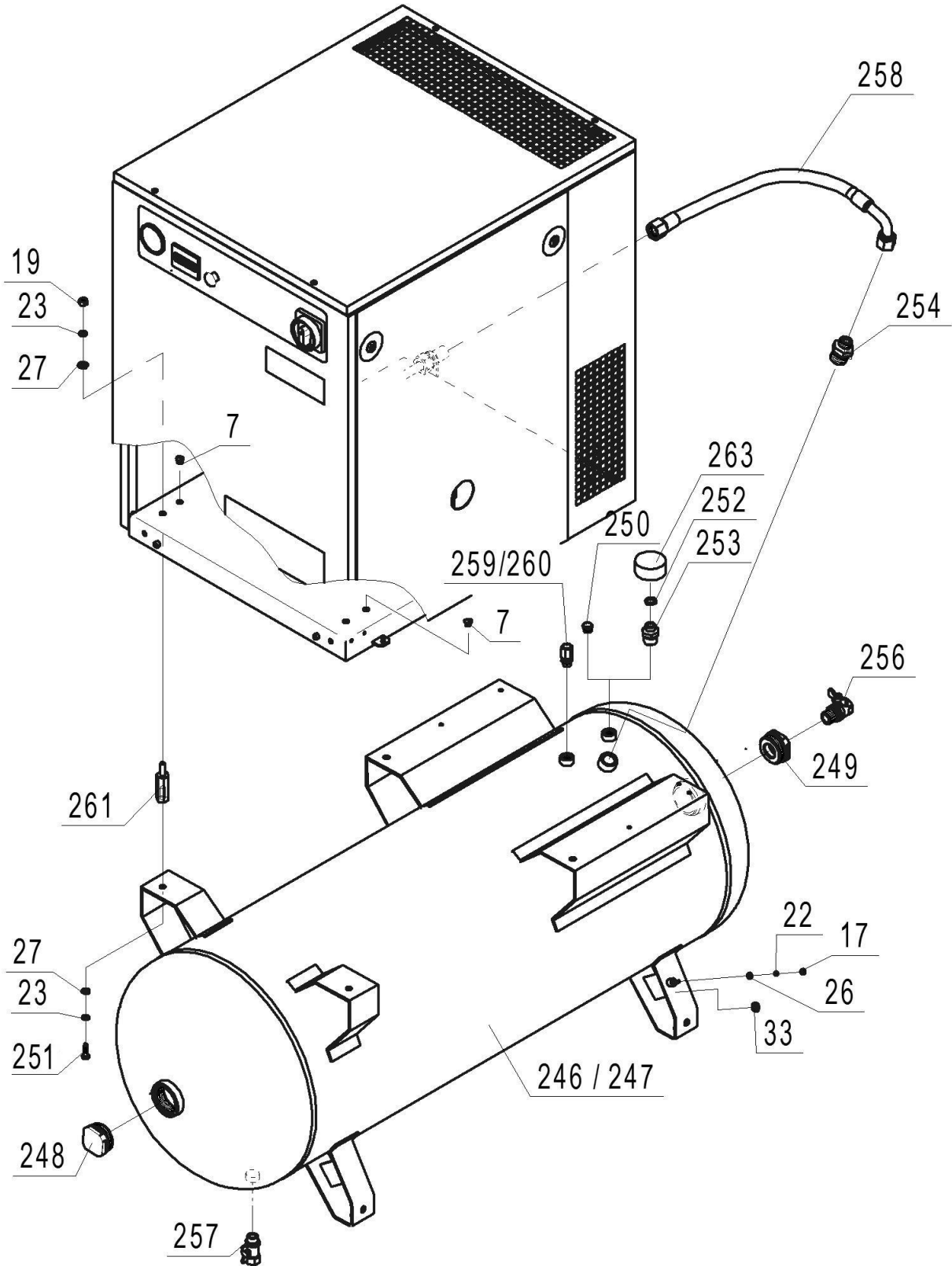








| Pos./ Pos./ Поз. | Code / Art.-Nr. / Код | Item | Bezeichnung | Наименование | Quantity / Anzahl / Количество | | | | | |
|------------------------|--------------------------|------------|-------------|---------------------------|--------------------------------|---------|---------|--------|---------|---------|
| | | | | | BK5T-8 | BK5T-10 | BK5T-15 | BK7T-8 | BK7T-10 | BK7-T15 |
| 216 | 3304.00.14.100 | Lock | Klinke | Защелка | 4 | | | | | |
| 217 | 3307.00.08.002 | Glass | Glas | Стекло | 1 | | | | | |
| 218 | | | | | | | | | | |
| 219 | 3314.00.08.001 | Side panel | Abdeckung | Стенка боковая | 1 | | | | | |
| 220 | 3314.00.08.001-01 | Side panel | Abdeckung | Стенка боковая | 1 | | | | | |
| 221 | 3314.00.11.000 | Arm | Träger | Швеллер | 1 | | | | | |
| 222 | 3314.00.11.000-01 | Arm | Träger | Швеллер | 1 | | | | | |
| 223 | 3314.00.13.001 | Top panel | Abdeckung | Стенка верхняя | 1 | | | | | |
| 224 | | | | | | | | | | |
| 225 | 4381000700 | Label | Aufkleber | Наклейка на замок левый | 2 | | | | | |
| 226 | 4381000800 | Label | Aufkleber | Наклейка на замок правый | 2 | | | | | |
| 227 | 4382005500 | Label | Aufkleber | Табличка паспортная BK5T | 1 | - | - | | | |
| | 4382005600 | Label | Aufkleber | Табличка паспортная BK7T | - | 1 | - | | | |
| | 4382005700 | Label | Aufkleber | Табличка паспортная BK10T | - | - | 1 | | | |
| 228 | 4382005800 | Label | Aufkleber | - | 1 | - | - | | | |
| | 4382005900 | Label | Aufkleber | - | - | 1 | - | | | |
| | 4382006000 | Label | Aufkleber | - | - | - | 1 | | | |
| 229 | | | | | | | | | | |
| 230 | | | | | | | | | | |
| 231 | | | | | | | | | | |
| 232 | | | | | | | | | | |
| 233 | | | | | | | | | | |
| 234 | | | | | | | | | | |
| 235 | | | | | | | | | | |
| 236 | | | | | | | | | | |
| 237 | | | | | | | | | | |
| 238 | | | | | | | | | | |
| 239 | | | | | | | | | | |
| 240 | | | | | | | | | | |
| 241 | | | | | | | | | | |
| 242 | | | | | | | | | | |
| 243 | | | | | | | | | | |
| 244 | | | | | | | | | | |
| 245 | | | | | | | | | | |



| Pos./ Pos./ Поз. | Code / Art.-Nr. / Код | Item | Bezeichnung | Наименование | Quantity / Anzahl / Количество | | | | | | | |
|------------------------|--------------------------|--------------|-------------------|-------------------------------------|--------------------------------|-------------|-------------|------------|-------------|-------------|--------------|--------------|
| | | | | | БКСТ-8-270 | БКСТ-10-270 | БКСТ-15-270 | БК7Т-8-270 | БК7Т-10-270 | БК7Т-15-270 | БК10Т-10-270 | БК10Т-15-270 |
| 246 | 3002.00.00.000-02 | - | - | Ресивер P270.11.02 | 1 | - | - | 1 | - | 1 | - | |
| | 3003.00.00.000-02 | - | - | Ресивер P270.16.02 | - | 1 | - | - | 1 | - | 1 | |
| 247 | 3002.00.00.000 E | Receiver | Druckluftbehälter | - | 1 | - | 1 | - | 1 | - | | |
| | 3003.00.00.000 E | Receiver | Druckluftbehälter | - | - | 1 | - | - | 1 | - | 1 | |
| 248 | 4151509301 | Stopper | Blindverschluss | Заглушка 2 | 1 | | | | | | | |
| 249 | 4151600304 | Adapter | Adapter | Переходник 2н x 3/4в | 1 | | | | | | | |
| 250 | 4151504301 | Stopper | Blindverschluss | - | 1 | | | | | | | |
| 251 | - | Bolt | Schraube | Болт М10-6g x 35.58.А.019 ГОСТ 7805 | 4 | | | | | | | |
| 252 | 3326.00.13.004 | - | - | Контргайка 1/4" | 1 | | | | | | | |
| 253 | 4151600311 | - | - | Переходник 1/2" x 1/4" 10А | 1 | | | | | | | |
| 254 | 3322.00.04.003 | Adapter | Adapter | Переходник 1/2 x 1/2 | 1 | | | | | | | |
| 255 | | | | | | | | | | | | |
| 256 | 4111334000 | Ball crane | Kran | Кран шаровый М-Ф-3/4 | 1 | | | | | | | |
| 257 | 4111312500 | Ball crane | Kran | Кран шаровый М-Ф-3/8" | 1 | | | | | | | |
| 258 | 4195042024 | Sleeve | Rohr | Рукав РВД20.ЕНТ.3/4.420.0°-90° | 1 | | | | | | | |
| 259 | 4252110202 | - | - | Клапан предохранительный | 1 | 1 | - | 1 | 1 | - | 1 | |
| | 4252160202 | - | - | Клапан предохранительный | - | - | 1 | - | - | 1 | - | |
| 260 | 4254100202 | Safety valve | Sicherheitsventil | - | 1 | 1 | - | 1 | 1 | - | 1 | |
| | 4254150202 | Safety valve | Sicherheitsventil | - | - | - | 1 | - | - | 1 | - | |
| 261 | 3440.00.00.007 | Stand | Setzstock | Стойка | 4 | | | | | | | |
| 262 | | | | | | | | | | | | |
| 263 | 4141401650 | - | - | Манометр МП63П/Тэ-1,6МПа-G1/4" | 1 | - | - | 1 | - | 1 | - | |
| | 4141402550 | - | - | Манометр МП63П/Тэ-2,5МПа-G1/4" | - | 1 | - | - | 1 | - | 1 | |
| 264 | | | | | | | | | | | | |
| 265 | | | | | | | | | | | | |
| 266 | | | | | | | | | | | | |
| 267 | | | | | | | | | | | | |
| 268 | | | | | | | | | | | | |
| 269 | | | | | | | | | | | | |
| 270 | | | | | | | | | | | | |
| 261 | | | | | | | | | | | | |
| 262 | | | | | | | | | | | | |
| 263 | | | | | | | | | | | | |
| 264 | | | | | | | | | | | | |
| 265 | | | | | | | | | | | | |
| 266 | | | | | | | | | | | | |
| 267 | | | | | | | | | | | | |
| 268 | | | | | | | | | | | | |
| 269 | | | | | | | | | | | | |
| 270 | | | | | | | | | | | | |

